



WENZHUO

真空机系列

温州市华侨包装机械厂

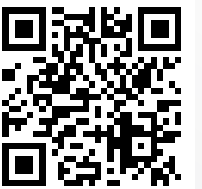
WENZHOU HUAQIAO PACKING MACHINE FACTORY

地址：浙江省温州市空港新区港富路15号
NO.15 Gangfu Road, Konggang New Area,
Wenzhou, Zhejiang.

电话(TEL) : 0577-88633888 88631988
传真(FAX) : 0577-88628808

外贸部 International Department
电话(TEL) : +86-577-88998813
传真(FAX) : +86-577-88996613
<http://www.huaqiaopm.com>
E-mail:huaqiaopm@huaqiaopm.com

上海工厂
上海市嘉定区黄渡镇春浓路732号
NO.732 Chunnong Road, Huangdu Town
Jiading Area Shanghai
电话(TEL) : 021-69596266 69596268
传真(FAX) : 021-69596267
<http://www.afanlao.com>
E-mail:afanlao@afanlao.com





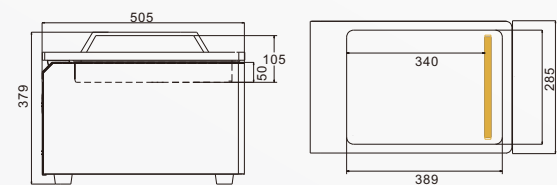
台式真空机

Table type vacuum packager



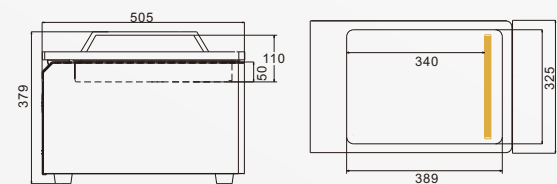
台式真空机 DZ-260/PD

Table type vacuum packager



台式真空机 DZ-300/PD

Table type vacuum packager



台式真空机储物箱

Stainless steel desk



技术参数 ▼

Technology Parameters ▼

电源电压/Power Supply	AC220V/50Hz 110V/60Hz
电机功率/Power Consumption	0.37Kw
热封功率/Heat Sealing Power	0.15Kw
真空极限压力/Ultimate Vacuum	0.05hPa(mbar)
真空泵抽气速率/Pump Capacity	14.4m ³ /h
热封长度/Sealing Length	250mm
热封宽度/Sealing Width	5mm
真空室深度/Vacuum Chamber Depth	50mm
外包装尺寸/Shipment Dimension	605x435x490mm
净重/毛重/N.W&G.W	37.2Kg/46Kg

技术参数 ▼

Technology Parameters ▼

电源电压/Power Supply	AC220V/50Hz 110V/60Hz
电机功率/Power Consumption	0.37Kw
热封功率/Heat Sealing Power	0.15Kw
真空极限压力/Ultimate Vacuum	0.05hPa(mbar)
真空泵抽气速率/Pump Capacity	14.4m ³ /h
热封长度/Sealing Length	290mm
热封宽度/Sealing Width	5mm
真空室深度/Vacuum Chamber Depth	50mm
外包装尺寸/Shipment Dimension	605x475x490mm
净重/毛重/N.W&G.W	40Kg/49Kg

技术参数 ▼

Technology Parameters ▼

DZ-260/PD箱

箱体尺寸/Machine Size 525x332x514mm

DZ-300/PD箱

箱体尺寸/Machine Size 505x372x514mm

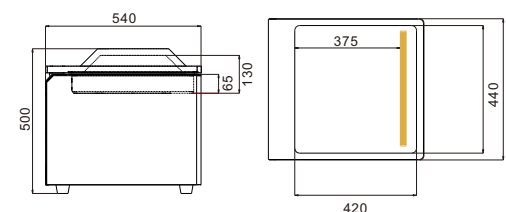


台式真空机

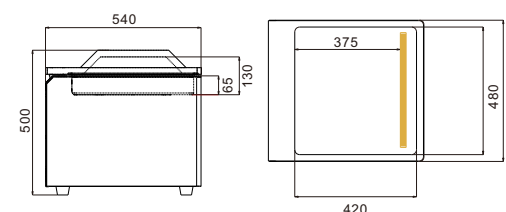
Table type vacuum packager



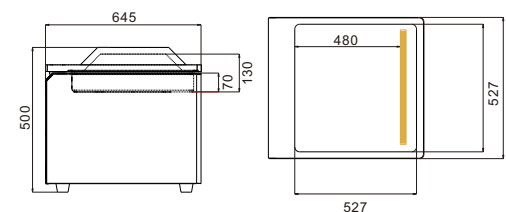
台式真空机 DZ-400/ZT Table type vacuum packager



台式真空机 DZ-450/ZT Table type vacuum packager



台式真空机 DZ-500/ZT Table type vacuum packager



台式真空机 储物箱

Stainless steel desk



技术参数 ▼

Technology Parameters ▼

电源电压/Power Supply	AC220V/50Hz 110V/60Hz
电机功率/Power Consumption	0.9Kw
热封功率/Heat Sealing Power	0.6Kw
真空极限压力/Ultimate Vacuum	0.1hPa(mbar)
真空泵抽气速率/Pump Capacity	20m ³ /h
热封长度/Sealing Length	390mm
热封宽度/Sealing Width	10mm
真空室深度/Vacuum Chamber Depth	65mm
外包装尺寸/Shipment Dimension	660x610x615mm
净重/毛重/N.W&G.W	62.5Kg/77.5Kg

技术参数 ▼

Technology Parameters ▼

电源电压/Power Supply	AC220V/50Hz 110V/60Hz
电机功率/Power Consumption	0.9Kw
热封功率/Heat Sealing Power	0.6Kw
真空极限压力/Ultimate Vacuum	0.1hPa(mbar)
真空泵抽气速率/Pump Capacity	20m ³ /h
热封长度/Sealing Length	440mm
热封宽度/Sealing Width	10mm
真空室深度/Vacuum Chamber Depth	65mm
外包装尺寸/Shipment Dimension	660x660x615mm
净重/毛重/N.W&G.W	70Kg/83Kg

技术参数 ▼

Technology Parameters ▼

电源电压/Power Supply	AC220V/50Hz 110V/60Hz
电机功率/Power Consumption	0.9Kw
热封功率/Heat Sealing Power	0.8Kw
真空极限压力/Ultimate Vacuum	0.1hPa(mbar)
真空泵抽气速率/Pump Capacity	20m ³ /h
热封长度/Sealing Length	490mm
热封宽度/Sealing Width	10mm
真空室深度/Vacuum Chamber Depth	70mm
外包装尺寸/Shipment Dimension	750x700x615mm
净重/毛重/N.W&G.W	77Kg/90Kg

技术参数 ▼

Technology Parameters ▼

DZ-400/ZT箱

箱体尺寸/Machine Size	540x490x420mm
-------------------	---------------

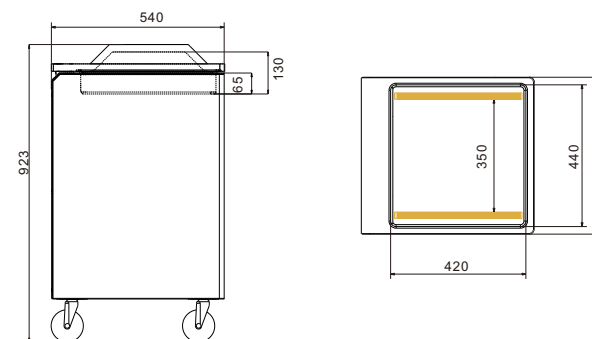


落地式真空机

Vacuum packager

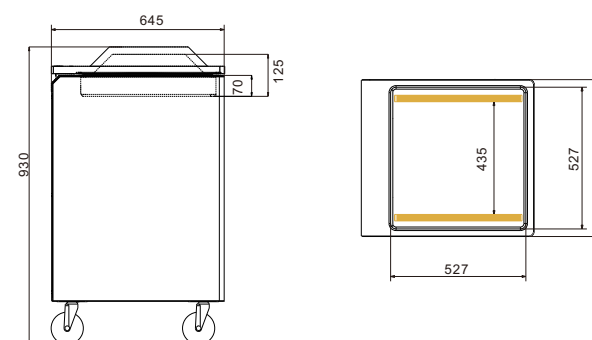
落地式真空机 DZ-400/2E

vacuum packager



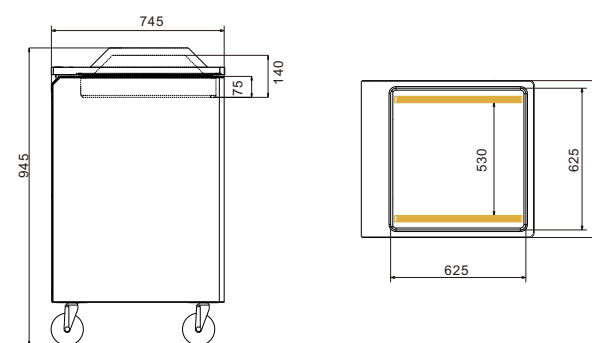
落地式真空机 DZ-500/2E

vacuum packager



落地式真空机 DZ-600/2E

vacuum packager



技术参数 ▼

Technology Parameters ▼

电源电压/Power Supply	AC220V/50Hz 110V/60Hz
电机功率/Power Consumption	0.9Kw
热封功率/Heat Sealing Power	0.7Kw
真空极限压力/Ultimate Vacuum	0.1hPa(mbar)
真空泵抽气速率/Pump Capacity	20m ³ /h
热封长度/Sealing Length	390mm
热封宽度/Sealing Width	10mm
真空室深度/Vacuum Chamber Depth	65mm
外包装尺寸/Shipment Dimension	660x610x1070mm
净重/毛重/N.W&G.W	70Kg/87Kg

技术参数 ▼

Technology Parameters ▼

电源电压/Power Supply	AC220V/50Hz 110V/60Hz
电机功率/Power Consumption	0.9Kw
热封功率/Heat Sealing Power	0.9Kw
真空极限压力/Ultimate Vacuum	0.1hPa(mbar)
真空泵抽气速率/Pump Capacity	20m ³ /h
热封长度/Sealing Length	490mm
热封宽度/Sealing Width	10mm
真空室深度/Vacuum Chamber Depth	70mm
外包装尺寸/Shipment Dimension	750x700x1070mm
净重/毛重/N.W&G.W	97Kg/117Kg

技术参数 ▼

Technology Parameters ▼

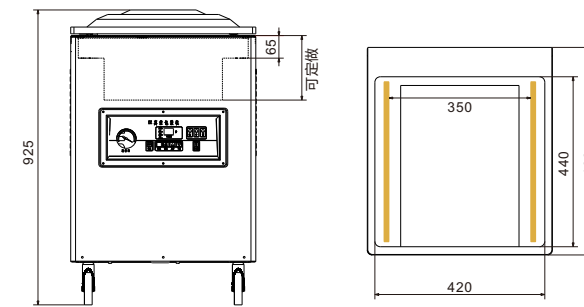
电源电压/Power Supply	AC380V/50Hz 220V/60Hz
电机功率/Power Consumption	1.5Kw
热封功率/Heat Sealing Power	1.1Kw
真空极限压力/Ultimate Vacuum	0.1hPa(mbar)
真空泵抽气速率/Pump Capacity	40m ³ /h
热封长度/Sealing Length	590mm
热封宽度/Sealing Width	10mm
真空室深度/Vacuum Chamber Depth	75mm
外包装尺寸/Shipment Dimension	850x800x1070mm
净重/毛重/N.W&G.W	151Kg/178Kg



落地式真空机 (加深型 + 不锈钢盖)

Vacuum packager(extra deep type+Stainless steel cover)

落地式真空机 DZ-400/2E vacuum packager

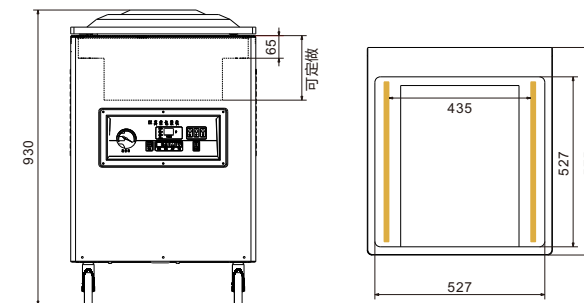


技术参数 ▼

Technology Parameters ▼

电源电压/Power Supply	AC220V/50Hz 110V/60Hz
电机功率/Power Consumption	0.9Kw
热封功率/Heat Sealing Power	0.7Kw
真空极限压力/Ulimate Vacuum	0.1hPa(mbar)
真空泵抽气速率/Pump Capacity	20m ³ /h
热封长度/Sealing Length	390mm
热封宽度/Sealing Width	10mm
真空室深度/Vacuum Chamber Depth	可定做
外包装尺寸/Shipment Dimension	660x610x1070mm
净重/毛重/N.W&G.W	90Kg/107Kg

落地式真空机 DZ-500/2E vacuum packager

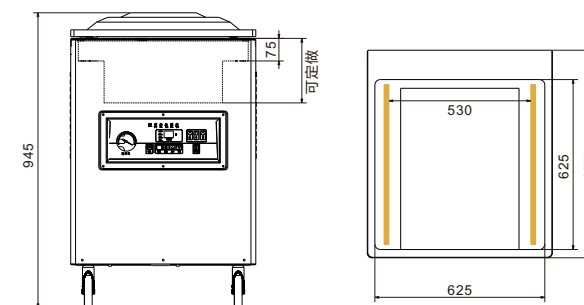


技术参数 ▼

Technology Parameters ▼

电源电压/Power Supply	AC220V/50Hz 110V/60Hz
电机功率/Power Consumption	0.9Kw
热封功率/Heat Sealing Power	0.9Kw
真空极限压力/Ulimate Vacuum	0.1hPa(mbar)
真空泵抽气速率/Pump Capacity	20m ³ /h
热封长度/Sealing Length	490mm
热封宽度/Sealing Width	10mm
真空室深度/Vacuum Chamber Depth	可定做
外包装尺寸/Shipment Dimension	750x700x1070mm
净重/毛重/N.W&G.W	122Kg/144Kg

落地式真空机 DZ-600/2E vacuum packager



技术参数 ▼

Technology Parameters ▼

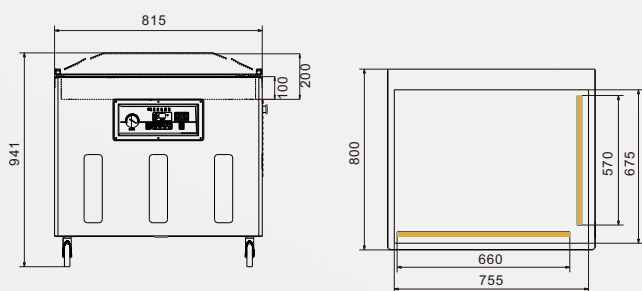
电源电压/Power Supply	AC380V/50Hz 220V/60Hz
电机功率/Power Consumption	1.5Kw
热封功率/Heat Sealing Power	1.1Kw
真空极限压力/Ulimate Vacuum	0.1hPa(mbar)
真空泵抽气速率/Pump Capacity	40m ³ /h
热封长度/Sealing Length	590mm
热封宽度/Sealing Width	10mm
真空室深度/Vacuum Chamber Depth	可定做
外包装尺寸/Shipment Dimension	850x800x1070mm
净重/毛重/N.W&G.W	180Kg/208Kg



落地式真空机

Vacuum packager

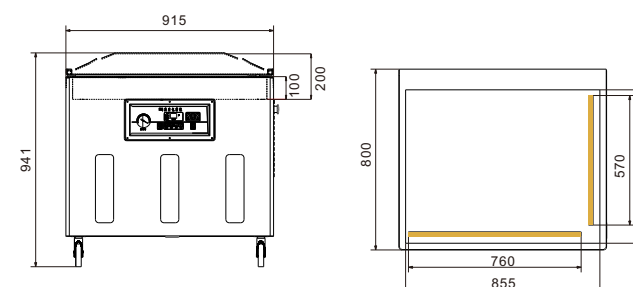
落地式真空机 DZ-800/2L
vacuum packager



技术参数 ▼
Technology Parameters ▼

电源电压/Power Supply	AC380V/50Hz 220V/60Hz
电机功率/Power Consumption	1.5Kw
热封功率/Heat Sealing Power	1.4Kw
真空极限压力/Ultimate Vacuum	0.1hPa(mbar)
真空泵抽气速率/Pump Capacity	40m ³ /h
热封长度/Sealing Length	650/560mm
热封宽度/Sealing Width	10mm
真空室深度/Vacuum Chamber Depth	100mm
外包装尺寸/Shipment Dimension	890x1035x1100mm
净重/毛重/N.W&G.W	215Kg/260Kg

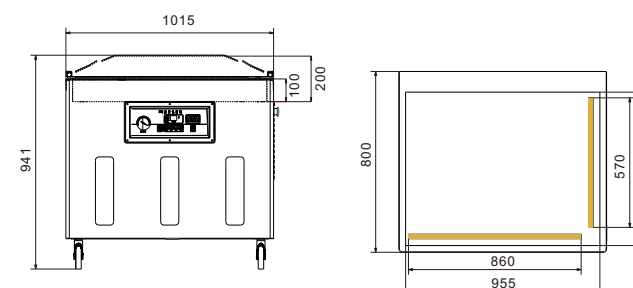
落地式真空机 DZ-900/2L
vacuum packager



技术参数 ▼
Technology Parameters ▼

电源电压/Power Supply	AC380V/50Hz 220V/60Hz
电机功率/Power Consumption	1.5Kw
热封功率/Heat Sealing Power	1.6Kw
真空极限压力/Ultimate Vacuum	0.1hPa(mbar)
真空泵抽气速率/Pump Capacity	40m ³ /h
热封长度/Sealing Length	750/560mm
热封宽度/Sealing Width	10mm
真空室深度/Vacuum Chamber Depth	100mm
外包装尺寸/Shipment Dimension	890x1135x1100mm
净重/毛重/N.W&G.W	225Kg/270Kg

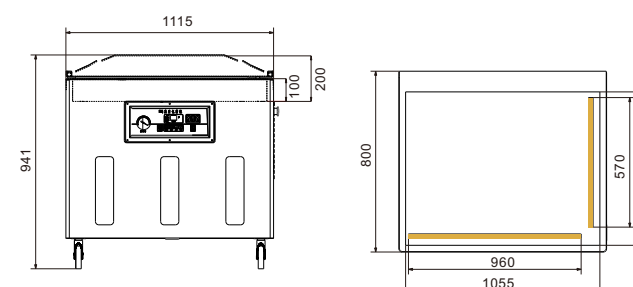
落地式真空机 DZ-1000/2L
vacuum packager



技术参数 ▼
Technology Parameters ▼

电源电压/Power Supply	AC380V/50Hz 220V/60Hz
电机功率/Power Consumption	1.5Kw
热封功率/Heat Sealing Power	1.8Kw
真空极限压力/Ultimate Vacuum	0.1hPa(mbar)
真空泵抽气速率/Pump Capacity	40m ³ /h
热封长度/Sealing Length	850/560mm
热封宽度/Sealing Width	10mm
真空室深度/Vacuum Chamber Depth	100mm
外包装尺寸/Shipment Dimension	890x1235x1100mm
净重/毛重/N.W&G.W	235Kg/280Kg

落地式真空机 DZ-1100/2L
vacuum packager



技术参数 ▼
Technology Parameters ▼

电源电压/Power Supply	AC380V/50Hz 220V/60Hz
电机功率/Power Consumption	1.5Kw
热封功率/Heat Sealing Power	2.0Kw
真空极限压力/Ultimate Vacuum	0.1hPa(mbar)
真空泵抽气速率/Pump Capacity	40m ³ /h
热封长度/Sealing Length	950/560mm
热封宽度/Sealing Width	10mm
真空室深度/Vacuum Chamber Depth	100mm
外包装尺寸/Shipment Dimension	890x1335x1100mm
净重/毛重/N.W&G.W	245Kg/290Kg



双室真空机(平板型)

Double chamber vacuum packager (flat type)

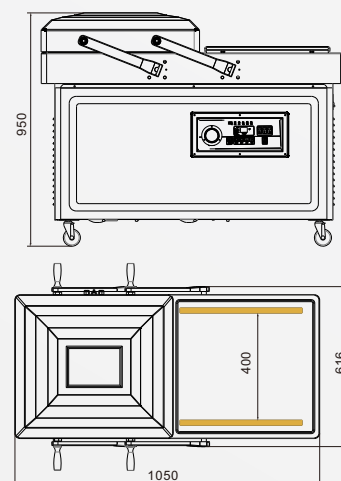
双室真空机(平板型) DZ-400/2SB

Double chamber vacuum packager (flat type)

技术参数 ▼

Technology Parameters ▼

电源电压/Power Supply	AC220V/50Hz 110V/60Hz
电机功率/Power Consumption	0.9Kw
热封功率/Heat Sealing Power	0.7Kw
真空极限压力/Ultimate Vacuum	0.1hPa(mbar)
真空泵抽气速率/Pump Capacity	20m ³ /h
热封长度/Sealing Length	390mm
热封宽度/Sealing Width	10mm
外包装尺寸/Shipment Dimension	1090x680x1020mm
净重/毛重/N.W&G.W	131Kg/155Kg



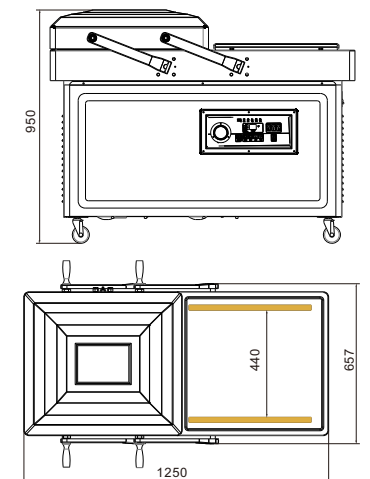
双室真空机(平板型) DZ-500/2SB

Double chamber vacuum packager (flat type)

技术参数 ▼

Technology Parameters ▼

电源电压/Power Supply	AC380V/50Hz 220V/60Hz
电机功率/Power Consumption	0.75Kwx2
热封功率/Heat Sealing Power	0.9Kw
真空极限压力/Ultimate Vacuum	0.1hPa(mbar)
真空泵抽气速率/Pump Capacity	20m ³ /hx2
热封长度/Sealing Length	490mm
热封宽度/Sealing Width	10mm
外包装尺寸/Shipment Dimension	1340x740x1020mm
净重/毛重/N.W&G.W	182Kg/232Kg



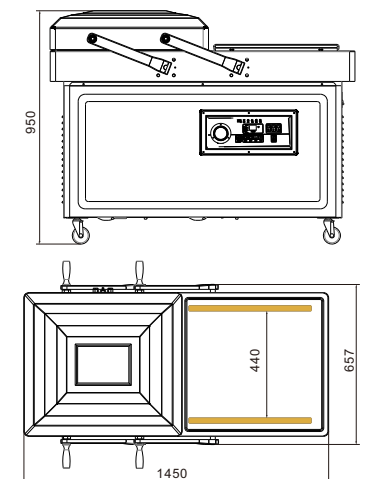
双室真空机(平板型) DZ-600/2SB

Double chamber vacuum packager (flat type)

技术参数 ▼

Technology Parameters ▼

电源电压/Power Supply	AC380V/50Hz 220V/60Hz
电机功率/Power Consumption	1.5Kw
热封功率/Heat Sealing Power	1.1Kw
真空极限压力/Ultimate Vacuum	0.1hPa(mbar)
真空泵抽气速率/Pump Capacity	40m ³ /h
热封长度/Sealing Length	590mm
热封宽度/Sealing Width	10mm
外包装尺寸/Shipment Dimension	1530x740x1020mm
净重/毛重/N.W&G.W	220Kg/272Kg



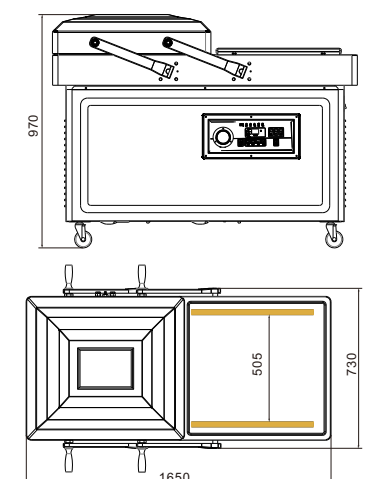
双室真空机(平板型) DZ-700/2SB

Double chamber vacuum packager (flat type)

技术参数 ▼

Technology Parameters ▼

电源电压/Power Supply	AC380V/50Hz 220V/60Hz
电机功率/Power Consumption	1.5Kw
热封功率/Heat Sealing Power	1.3Kw
真空极限压力/Ultimate Vacuum	0.1hPa(mbar)
真空泵抽气速率/Pump Capacity	40m ³ /h
热封长度/Sealing Length	690mm
热封宽度/Sealing Width	10mm
外包装尺寸/Shipment Dimension	1730x815x1045mm
净重/毛重/N.W&G.W	267Kg/330Kg





双室真空机(加深型)

Double chamber vacuum packager(deep type)

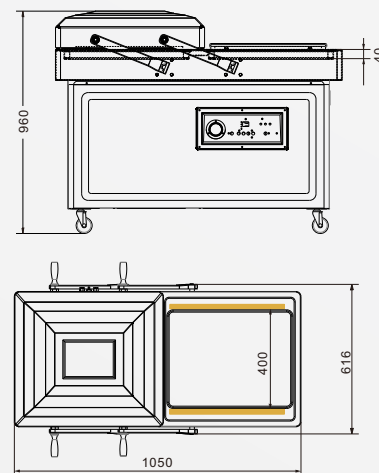
双室真空机(加深型) DZ-400/2SA

Double chamber vacuum packager (deep type)

技术参数 ▼

Technology Parameters ▼

电源电压/Power Supply	AC380V/50Hz 220V/60Hz
电机功率/Power Consumption	0.9Kw
热封功率/Heat Sealing Power	0.7Kw
真空极限压力/Ultimate Vacuum	0.1hPa(mbar)
真空泵抽气速率/Pump Capacity	20m ³ /h
热封长度/Sealing Length	390mm
热封宽度/Sealing Width	10mm
真空室深度/Vacuum Chamber Depth	40mm
外包装尺寸/Shipment Dimension	1090x680x1030mm
净重/毛重/N.W&G.W	140Kg/160Kg



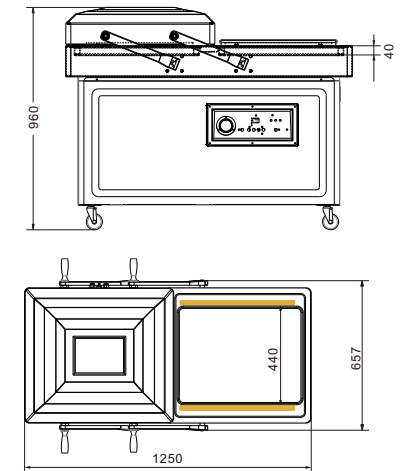
双室真空机(加深型) DZ-500/2SA

Double chamber vacuum packager (deep type)

技术参数 ▼

Technology Parameters ▼

电源电压/Power Supply	AC380V/50Hz 220V/60Hz
电机功率/Power Consumption	0.75Kwx2
热封功率/Heat Sealing Power	0.9Kw
真空极限压力/Ultimate Vacuum	0.1hPa(mbar)
真空泵抽气速率/Pump Capacity	20m ³ /hx2
热封长度/Sealing Length	490mm
热封宽度/Sealing Width	10mm
真空室深度/Vacuum Chamber Depth	40mm
外包装尺寸/Shipment Dimension	1340x740x1030mm
净重/毛重/N.W&G.W	182Kg/232Kg



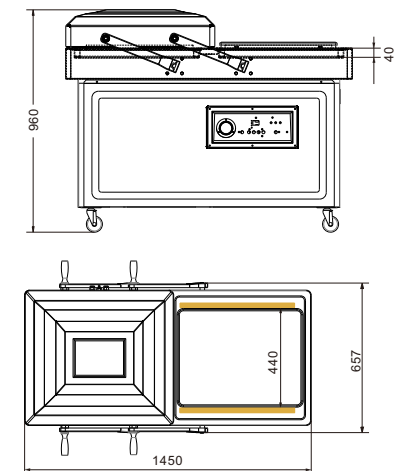
双室真空机(加深型) DZ-600/2SA

Double chamber vacuum packager (deep type)

技术参数 ▼

Technology Parameters ▼

电源电压/Power Supply	AC380V/50Hz 220V/60Hz
电机功率/Power Consumption	1.5Kw
热封功率/Heat Sealing Power	1.1Kw
真空极限压力/Ultimate Vacuum	0.1hPa(mbar)
真空泵抽气速率/Pump Capacity	40m ³ /h
热封长度/Sealing Length	590mm
热封宽度/Sealing Width	10mm
真空室深度/Vacuum Chamber Depth	40mm
外包装尺寸/Shipment Dimension	1530x740x1030mm
净重/毛重/N.W&G.W	220Kg/272Kg



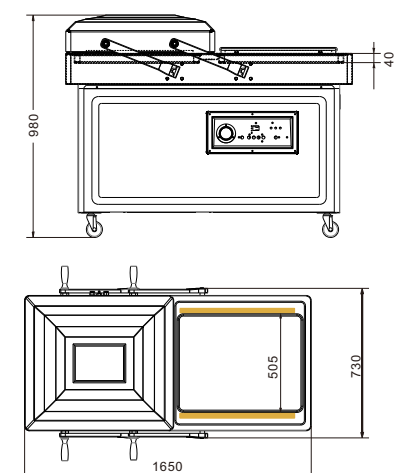
双室真空机(加深型) DZ-700/2SA

Double chamber vacuum packager (deep type)

技术参数 ▼

Technology Parameters ▼

电源电压/Power Supply	AC380V/50Hz 220V/60Hz
电机功率/Power Consumption	1.5Kw
热封功率/Heat Sealing Power	1.3Kw
真空极限压力/Ultimate Vacuum	0.1hPa(mbar)
真空泵抽气速率/Pump Capacity	40m ³ /h
热封长度/Sealing Length	690mm
热封宽度/Sealing Width	10mm
真空室深度/Vacuum Chamber Depth	40mm
外包装尺寸/Shipment Dimension	1730x815x1045mm
净重/毛重/N.W&G.W	267Kg/330Kg





双室真空机(四边封型)

Double chamber vacuum packager
(Multi-sealing Bar)

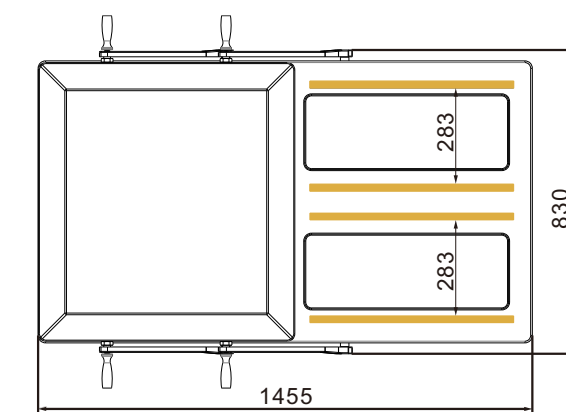
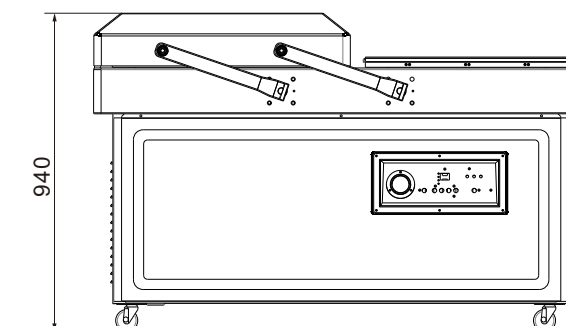
双室真空机(四边封型) DZ-600/4SB

Double chamber vacuum packager
(with four sealing bars)

技术参数 ▼

Technology Parameters ▼

电源电压/Power Supply	AC380V/50Hz 220V/60Hz
电机功率/Power Consumption	2.2Kw
热封功率/Heat Sealing Power	1.2Kwx2
真空极限压力/Ultimate Vacuum	0.1hPa(mbar)
真空泵抽气速率/Pump Capacity	63m ³ /h
热封长度/Sealing Length	590mm
热封宽度/Sealing Width	10mm
外包装尺寸/Shipment Dimension	1530x980x1040mm
净重/毛重/N.W&G.W	322Kg/378Kg





双室真空机(自动翻盖型)

Double chamber vacuum packager(Automatic flip)

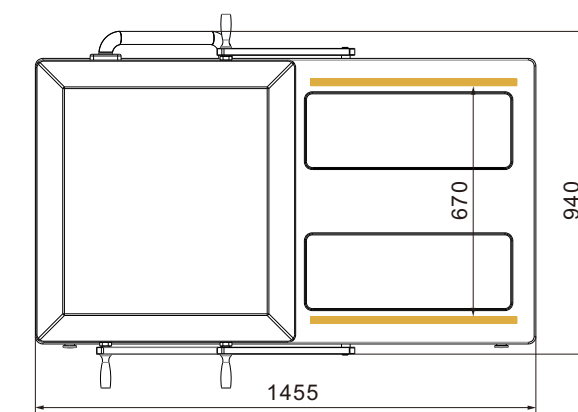
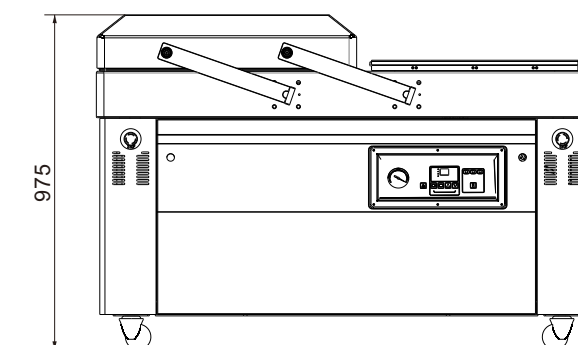
双室真空机(自动翻盖型) DZ-600/2SA

Double chamber vacuum packager (Automatic flip)

技术参数 ▼

Technology Parameters ▼

电源电压/Power Supply	AC380V/50Hz 220V/60Hz
电机功率/Power Consumption	3.0Kw
热封功率/Heat Sealing Power	1.1Kw
真空极限压力/Ultimate Vacuum	0.1hPa(mbar)
真空泵抽气速率/Pump Capacity	100m ³ /h
热封长度/Sealing Length	590mm
热封宽度/Sealing Width	10mm
外包装尺寸/Shipment Dimension	1530x1030x1060mm
净重/毛重/N.W&G.W	370Kg/420Kg



WORKSHOP OVERVIEW

车间概览

一流的技术设备，一流的生产配置，是现代企业必不可少的硬件，也是制造优质产品的保证。我们公司持续购进先进的生产设备，引进新材料、新工艺，使产品大众化、品质化。

技术专家直接参与技术指导及生产，保证了产品的稳定性和可靠性。员工与日俱增的精品意识和源源不断的工业精品另世界包装业日新月异。

我们以客户为导向，以研究和制造客户需要的、满意的产品为己任。我们凭借其技术的优势和先进的生产工艺、产品开发的能力，把技术研究水平和生产工艺发挥的淋漓尽致。从而让客户得到真正的认同和赞赏。



加工设备 PROCESSING EQUIPMENT



Manual Sealer/Pedal Sealer

手压/脚踏封口机



手压封口机 (塑壳、铝壳)
Manual Sealer(plastic, aluminum)

PFS100-400

技术参数/Technology Parameters

型号/Model	PFS100	PFS200	PFS300	PFS400
电源电压/Power Supply	AC110-220V/60-50Hz	AC110-220V/60-50Hz	AC110-220V/60-50Hz	AC110-220V/60-50Hz
总功率/Power Consumption	250W	300W	450W	600W
最大封口尺寸/Max Sealing Size	150mm	200mm	300mm	400mm
外包装尺寸/Shipment Dimension	72X220X10mm	80X320X150mm	80X450X180mm	85X550X180mm
毛重/Gross Weight	1.9kg	3.0kg	4.5kg	5.5kg

脚踏封口机 (落地式)
Pedal Sealer (ground)

PFS350-800JT

技术参数/Technology Parameters

型号/Model	PFS350JT	PFS450JT	PFS600JT	PFS800JT
电源电压/Power Supply	AC110-220V/60-50HZ	AC110-220V/60-50HZ	AC110-220V/60-50HZ	AC110-220V/60-50HZ
总功率/Power Consumption	1200W	1250W	1500W	1800W
最大封口尺寸/Max Sealing Size	350mm	450mm	600mm	800m
外包装尺寸/Shipment Dimension	880X550x250mm	880X550X250mm	880X550X250mm	920X550X250mm
毛重/Gross Weight	19kg	21kg	24.5kg	26kg

脚踏封口机 (带打码)
Pedal Sealer (with Printer)

PFS350-800JT

技术参数/Technology Parameters

型号/Model	PFS350JT	PFS450JT	PFS600JT	PFS800JT
电源电压/Power Supply	AC110-220V/60-50Hz	AC110-220V/60-50Hz	AC110-220V/60-50Hz	AC110-220V/60-50Hz
总功率/Power Consumption	1500W	1700W	1900W	2100W
最大封口尺寸/Max Sealing Size	350mm	450mm	600mm	800mm
外包装尺寸/Shipment Dimension	880X550X250mm	880X550X250mm	880X550X250mm	920X550X250mm
毛重/Gross Weight	21kg	23kg	27kg	28kg

MULTI-FUNCTIONAL FILM SEALER

多功能薄膜封口机

KUNBA牌系列薄膜封口机适用于各种塑料薄膜的封口与制袋，广泛应用于食品、医药、化工、土特产品、电子元件等行业，它是工厂、商店等部门使用的最佳封口设备

PATENT NUMBER: ZL02219651.X

中国专利号: ZL02219651.X

- Adjustable temperature and speed
- Coding fan protect film from wrinkle
- Durable heater and motor
- Work smoothly without wear and tear
- Enboss number and letter

卧式薄膜封口机

Continuous sealer (Horizontal)

SF-150W



技术参数/Technology Parameters

型号/Model	SF-150W
电源电压/Power Supply	AC220/50Hz 110V/60Hz
电机功率/Power Consumption	60W
电热功率/Heating Power	280Wx2
封口速度/Sealing Speed	0-16m/min (米/分)
封口宽度/Sealing Width	10mm
温控范围/Temperature Range	0-300°C
输送总承载/Conveyor Loading	<5kg
外包装尺寸/Shipment Dimension	860×410×375mm
净重/毛重/N.W&G.W	20.5kg/23.5kg

立式薄膜封口机

Continuous sealer (Vertical)

SF-150LW



技术参数/Technology Parameters

型号/Model	SF-150LW
电源电压/Power Supply	AC220/50Hz 110V/60Hz
电机功率/Power Consumption	60W
电热功率/Heating Power	280Wx2
封口速度/Sealing Speed	0-16m/min (米/分)
封口宽度/Sealing Width	10mm
温控范围/Temperature Range	0-300°C
输送总承载/Conveyor Loading	<5kg
外包装尺寸/Shipment Dimension	860×410×375mm
净重/毛重/N.W&G.W	23.5kg/26.5kg

落地式薄膜封口机

Continuous sealer (Ground)

SF-150LD



技术参数/Technology Parameters

型号/Model	SF-150LD
电源电压/Power Supply	AC220/50Hz 110V/60Hz
电机功率/Power Consumption	60W
电热功率/Heating Power	280Wx2
封口速度/Sealing Speed	0-16m/min (米/分)
封口宽度/Sealing Width	10mm
温控范围/Temperature Range	0-300°C
输送总承载/Conveyor Loading	<5kg
外包装尺寸/Shipment Dimension	965×430×445mm
净重/毛重/N.W&G.W	29.5kg/32.5kg

SOLID INK CONTINUOUS SEALER

墨轮印字薄膜封口机

PATENT NUMBER: ZL02219651.X

中国专利号: ZL02219651.X

- Adjustable printing position temperature and speed
- Coding fan protect film from wrinkle
- Durable heater and motor

- Work smoothly without wear and tear
- Print 3 lines with ink
- Vertical and horizontal double-use

卧式墨轮印字封口机

Solid continuous sealer(Horizontal)

FRM-980W



技术参数/Technology Parameters

型号/Model	FRM-980W
电源电压/Power Supply	AC220/50Hz 110V/60Hz
电机功率/Power Consumption	80W
封口电热功率/Heating Power	280Wx2
印字电热功率/Printing Power	60Wx2
封口速度/Sealing Speed	0-16m/min (米/分)
印字类别/Printing Material	固体墨轮/solid-ink
封口宽度/Sealing Width	10mm
温控范围/Temperature Range	0-300°C
输送总承载/Conveyor Loading	<5kg
外包装尺寸/Shipment Dimension	965×430×380mm
净重/毛重/N.W&G.W	25.5kg/28.5kg

立式墨轮印字封口机

Solid continuous sealer(Vertical)

FRM-980LW



技术参数/Technology Parameters

型号/Model	FRM-980LW
电源电压/Power Supply	AC220/50Hz 110V/60Hz
电机功率/Power Consumption	80W
封口电热功率/Heating Power	280Wx2
印字电热功率/Printing Power	60Wx2
封口速度/Sealing Speed	0-16m/min (米/分)
印字类别/Printing Material	固体墨轮/solid-ink
封口宽度/Sealing Width	10mm
温控范围/Temperature Range	0-300°C
输送总承载/Conveyor Loading	<5kg
外包装尺寸/Shipment Dimension	965×430×380mm
净重/毛重/N.W&G.W	28.7kg/31.7kg

落地式墨轮印字封口机

Solid continuous sealer(Ground)

FRM-980LD



技术参数/Technology Parameters

型号/Model	FRM-980LD
电源电压/Power Supply	AC220/50Hz 110V/60Hz
电机功率/Power Consumption	80W
封口电热功率/Heating Power	280Wx2
印字电热功率/Printing Power	60Wx2
封口速度/Sealing Speed	0-16m/min (米/分)
印字类别/Printing Material	固体墨轮/solid-ink
封口宽度/Sealing Width	10mm
温控范围/Temperature Range	0-300°C
输送总承载/Conveyor Loading	<5kg
外包装尺寸/Shipment Dimension	965×430×445mm
净重/毛重/N.W&G.W	35.5kg/38.5kg

SOLID INK CONTINUOUS SEALER

墨轮印字薄膜封口机

卧式色带打码印字薄膜封口机
Ribbon code printing film sealing machine (Horizontal)

SF-150SD



技术参数/Technology Parameters

型号/Model	SF-150SD
电源电压/Power Supply	AC220/50Hz 110V/60Hz
电机功率/Power Consumption	60W+15W
封口电热功率/Heating Power	280Wx2
封口速度/Sealing Speed	0-16m/min (米/分)
封口宽度/Sealing Width	10mm
温控范围/Temperature Range	0-300℃
输送总承载/Conveyor Loading	<5kg
外包装尺寸/Shipment Dimension	980×470×550mm
净重/毛重/N.W&G.W	30kg/47.8kg

EUROPEAN STANDARD PROTECTIVE TYPE CONTINUOUS BAG SEALER

连续式封口机

卧式薄膜封口机 (防护型)
Horizontal film sealing machine (protective type)

SF-150WF



技术参数/Technology Parameters

型号/Model	SF-150WF
电源电压/Power Supply	AC220/50Hz 110V/60Hz
电机功率/Power Consumption	60W
电热功率/Heating Power	280Wx2
封口速度/Sealing Speed	0-16m/min (米/分)
封口宽度/Sealing Width	10mm
温控范围/Temperature Range	0-300℃
输送总承载/Conveyor Loading	<5kg
外包装尺寸/Shipment Dimension	860×410×375mm
净重/毛重/N.W&G.W	21.5kg/24.5kg

豪华型卧式墨轮印字封口机
Solid-inker printer film sealer(Horizontal)

FRD-980AI



技术参数/Technology Parameters

型号/Model	FRD-980AI
电源电压/Power Supply	AC220/50Hz 110V/60Hz
电机功率/Power Consumption	80W
封口电热功率/Heating Power	280Wx2
印字电热功率/Printing Power	60Wx2
封口速度/Sealing Speed	0-16m/min (米/分)
印字类别/Printing Material	固体墨轮/solid-ink
封口宽度/Sealing Width	10mm
温控范围/Temperature Range	0-300℃
输送总承载/Conveyor Loading	<5kg
外包装尺寸/Shipment Dimension	965×430×380mm
净重/毛重/N.W&G.W	27.15kg/30.3kg

卧式墨轮印字封口机 (防护型)
Horizontal ink printing sealing machine (protective type)

FRM-980WF



技术参数/Technology Parameters

型号/Model	FRM-980WF
电源电压/Power Supply	AC220/50Hz 110V/60Hz
电机功率/Power Consumption	80W
封口电热功率/Heating Power	280Wx2
印字电热功率/Printing Power	60Wx2
封口速度/Sealing Speed	0-16m/min (米/分)
印字类别/Printing Material	固体墨轮/solid-ink
封口宽度/Sealing Width	10mm
温控范围/Temperature Range	0-300℃
输送总承载/Conveyor Loading	<5kg
外包装尺寸/Shipment Dimension	965×430×380mm
净重/毛重/N.W&G.W	26.5kg/29.5kg

充氮气型卧式薄膜封口机
Nitrogen flushing continous sealing machine

FRQM-980CD



技术参数/Technology Parameters

型号/Model	FRQM-980CD
电源电压/Power Supply	AC220/50Hz 110V/60Hz
电机功率/Power Consumption	80W
电热功率/Heating Power	280Wx2
封口速度/Sealing Speed	0-16m/min (米/分)
封口宽度/Sealing Width	10mm
温控范围/Temperature Range	0-300℃
输送总承载/Conveyor Loading	<5kg
外包装尺寸/Shipment Dimension	965×430×380mm
净重/毛重/N.W&G.W	26.0kg/29.0kg

卧式墨轮印字封口机 (加宽防护型)
Horizontal ink printing sealing machine (wide conveyor protective type)

FRM-980WK



技术参数/Technology Parameters

型号/Model	FRM-980WK
电源电压/Power Supply	AC220/50Hz 110V/60Hz
电机功率/Power Consumption	80W
封口电热功率/Heating Power	280Wx2
印字电热功率/Printing Power	60Wx2
封口速度/Sealing Speed	0-16m/min (米/分)
印字类别/Printing Material	固体墨轮/solid-ink
封口宽度/Sealing Width	10mm
温控范围/Temperature Range	0-300℃
输送总承载/Conveyor Loading	<5kg
外包装尺寸/Shipment Dimension	1060×610×420mm
净重/毛重/N.W&G.W	36kg/45kg

SOLID INK CONTINUOUS SEALER

墨轮印字 (充气) 封口机

落地式充气薄膜封口机
Air-filling continuous sealer

FRQM-980C



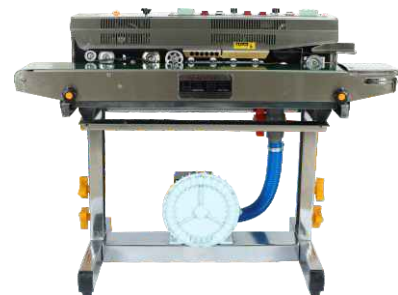
技术参数/Technology Parameters

型号/Model	FRQM-980C
电源电压/Power Supply	AC220/50Hz 110V/60Hz
电机功率/Power Consumption	80W
气泵功率/Airpump Power	200W
封口电热功率/Heating Power	28Wx2
封口速度/Sealing Speed	0-16m/min (米/分)
封口宽度/Sealing Width	10mm
温控范围/Temperature Range	0-300°C
输送总承载/Conveyor Loading	≤5kg
外包装尺寸/Shipment Dimension	1030x590x880mm
净重/毛重/N.W&G.W	41kg/48kg

落地式充气墨轮印字封口机

Air-filling and ink printing continuous sealing machine

FRSC-101011



技术参数/Technology Parameters

型号/Model	FRSC-101011
电源电压/Power Supply	AC220/50Hz 110V/60Hz
电机功率/Power Consumption	80W
气泵功率/Airpump Power	200W
封口速度/Sealing Speed	0-16m/min (米/分)
封口宽度/Sealing Width	10mm
温控范围/Temperature Range	0-300°C
输送总承载/Conveyor Loading	≤5kg
外包装尺寸/Shipment Dimension	1140x595x885mm
净重/毛重/N.W&G.W	46kg/53kg

多功能连续式真空抽气/充气包装机械

Continuous-vacuum pumping and air fillingsealing machine

FRSZ-12801



技术参数/Technology Parameters

型号/Model	FRSC-12801
电源电压/Power Supply	AC220/50Hz 110V/60Hz
电机功率/Power Consumption	80W
气泵功率/Airpump Power	200W
封口速度/Sealing Speed	0-16m/min (米/分)
封口宽度/Sealing Width	10mm
温控范围/Temperature Range	0-300°C
输送总承载/Conveyor Loading	≤3kg
外包装尺寸/Shipment Dimension	1140x600x890mm
净重/毛重/N.W&G.W	78kg

MLTI-FUNCTIONAL FILM SEALER

多功能薄膜封口机

气压大袋封口机

Air pressure sealing machine for big plastic bag

QF-700L



技术参数/Technology Parameters

型号/Model	QF-700L
电源电压/Power Supply	AC220-240/50Hz
总功率/Power Consumption	500W
封口速度/Sealing Speed	0-13M/min (米/分) 可调
封口宽度/Sealing Width	8-10mm
温控范围/Temperature Range	0-300°C
袋长范围/Bag Length Range	50-700mm可调
输送总承载/Conveyor Loading	15kg
外包装尺寸/Shipment Dimension	720x560x1340mm
毛重/Gross Weight	130kg
薄膜厚度/Sealing Film Thickness	0.1-0.8mm

多功能卧式封口机

Multi-functional film sealer(HORIZONTAL)

CBS-1100H



技术参数/Technology Parameters

型号/Model	CBS-1100H
电源电压/Power Supply	220V single phase 50/60Hz
总功率/Power Consumption	750W
封口速度/Sealing Speed	0-12m/min
封口宽度/Sealing Width	5-10mm
薄膜厚度/Sealing Film Thickness	0.02-0.8mm
温控范围/Temperature Range	0-300°C
印字个数/Print Capacity	≤39
输送总承载/Conveyor Loading	20kg
外包装尺寸/Shipment Dimension	1100x610x1030mm
毛重/Gross Weight	122kg

多功能立式封口机

Multi-functional film sealer(Vertical)

CBS-1100V



技术参数/Technology Parameters

型号/Model	CBS-1100V
电源电压/Power Supply	220V single phase 50/60Hz
总功率/Power Consumption	750W
封口速度/Sealing Speed	0-12m/min
封口宽度/Sealing Width	5-10mm
薄膜厚度/Sealing Film Thickness	0.02-0.8mm
温控范围/Temperature Range	0-300°C
印字个数/Print Capacity	≤39
输送总承载/Conveyor Loading	20kg
外包装尺寸/Shipment Dimension	1100x610x1030mm
毛重/Gross Weight	122kg
可调高度/Adjustable Height	180-600mm

COLOURED-TAPE PRINTER

HP系列色带打码机

捆霸牌系列打码机广泛适用于食品、医药等行业，具有印刷精美，字迹牢固，无污染，换字方便等优点，能完美印刷各种包装材料，如：PT、PE、OPP、铝箔、纸等。

- Special design economize ribbons
- Stable footing
- Clear printing
- No hazard
- 3 lines of letter an number

手压色带打码机 (电脑版) Hand ribbon printer(Digital version)

HP-241S



技术参数/Technology Parameters

型号/Model	HP-241S
电源电压/Power Supply	AC110-220V/60-50Hz
总功率/Power Consumption	100W
印字行数/Heating Power	1-3行 (line)
字粒尺寸/Size of letter&number	2x3x15/2x4x15
速度/Sealing Width	20-120pcs/min
外包装尺寸/Shipment Dimension	240x240x140mm
净重/毛重/N.W&G.W	5.0KG/5.6KG

电动色带打码机 (电脑版) Electrical ribbon printer(Digital version)

HP-23S



技术参数/Technology Parameters

型号/Model	HP-23S
电源电压/Power Supply	AC110-220V/60-50Hz
总功率/Power Consumption	120W
印字行数/Heating Power	1-3行 (line)
字粒尺寸/Size of letter&number	2x3x15/2x4x15
速度/Sealing Width	20-120pcs/min
外包装尺寸/Shipment Dimension	295x285x350mm
净重/毛重/N.W&G.W	8.5kg/9.3kg



励磁电机 + 高效涡轮蜗杆减速机



斜齿轮 转动平稳 噪声小 承载力强 啮合性好

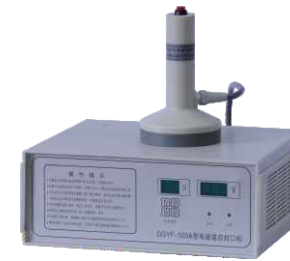
INDUCTION SEALING MACHINE

电磁感应封口机

手持式电磁感应封口机

Portable aluminum foil induction sealing machine

GLF-500



技术参数/Technology Parameters

型号/Model	GLF-500
电源电压/Power Supply	AC220-240V/50Hz
总功率/Power Consumption	≤500W
工作效率/Capacity	12-30pcs/min
封口直径/Sealing Diameter	φ20-φ100mm
容器高度/Sealing Height	无限高度Height unlimited
外包装尺寸/Shipment Dimension	340x290x150mm
毛重/Gross Weight	5kg

连续式电磁感应封口机

Continuous induction sealing machine

GLF-900



技术参数/Technology Parameters

型号/Model	GLF-900
电源电压/Power Supply	AC220-240V/50Hz
总功率/Power Consumption	≤500W
工作效率/Capacity	0-10m/s
封口直径/Sealing Diameter	φ20-φ50mm
容器高度/Sealing Height	40-200mm
外包装尺寸/Shipment Dimension	925x540x440mm
毛重/Gross Weight	47kg

大型连续式电磁感应封口机

Continuous induction alummium

FNJ-1900



技术参数/Technology Parameters

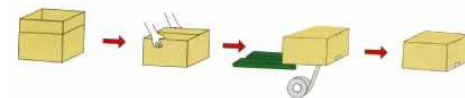
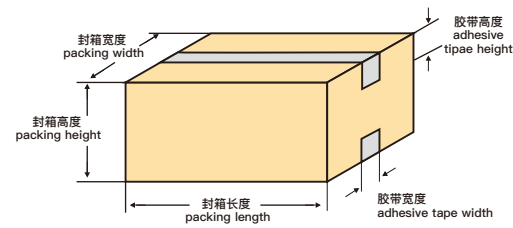
型号/Model	FNJ-1900
电源电压/Power Supply	AC220V50/60Hz
总功率/Power Consumption	2000W
封口直径/Sealing Diameter	φ50-φ120mm
封口速度/Sealing Speed	1-100瓶/分钟0-100bottles per minute
瓶子高度/Height Of Sealing Bottle	30-350mm
机器尺寸/Machine Size	1440x500x1350mm
毛重/Gross Weight	96kg

FJ 胶带封箱机系列

ADHESIVE TAPE CARTON SEALING MACHINE

捆霸牌系列真空机广泛应用于食品、五金、医药、化工、水产品、电子元器件等行业，适合各种形态产品（固态、液态、粉末、糊状）的真空包装。可有效防止产品因氧化或者细菌繁殖引起的腐败变质，从而达到延长产品保护和存储时间的目的。

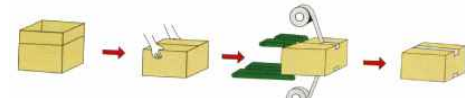
KUNBA Series of tape sealing machine is widely used in all kinds of cartons of adhesive tape sealing packaging, solid and durable, firm sealing, can greatly improve the manufacturer's packaging efficiency, save labor costs, is the first choice for mass production.



下驱动封箱机 FJ-50
Bottom carton sealer driven

技术参数technology parameters

型号/Model	FJ-50	封箱长度/Packing Length	≥200mm
电源电压/Power Supply	AC 220V/50HZ 110V/60HZ	封箱宽度/Packing Width	180-500mm
电机功率/Power Consumption	90w	外包装尺寸/Shipment Dimension	980x820x730mm
输送速度/Conveying speed	≤20m/min	净重/毛重/N.W&G.W	90kg/110kg
胶带尺寸/Adhesive tape size	48-60mm		



上下驱动封箱机 FJ-6050L
Top-bottom Driven Carton Sealer

技术参数technology parameters

型号/Model	FJ-6050L	封箱长度/Packing Length	≥200mm
电源电压/Power Supply	AC 220V/50HZ 110V/60HZ	封箱宽度/Packing Width	180-500mm
电机功率/Power Consumption	90Wx2	封箱高度/Packing Height	110-650mm
输送速度/Conveying speed	≤20m/min	外包装尺寸/Shipment Dimension	980x820x1190mm
胶带尺寸/Adhesive tape size	48-60mm	净重/毛重/N.W&G.W	118kg/153kg

中国专利号
Z102258105.7
FJ6050(轻物型)

FJ 胶带封箱机系列

ADHESIVE TAPE CARTON SEALING MACHINE

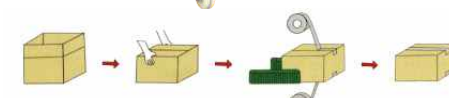


左右驱动封箱机(上侧) FJ-4550S
Left-right driven carton sealer(side)

技术参数technology parameters

型号/Model	FJ-4550S	封箱长度/Packing Length	≥200mm
电源电压/Power Supply	AC 220V/50HZ 110V/60HZ	封箱宽度/Packing Width	100-500mm
电机功率/Power Consumption	120Wx2	封箱高度/Packing Height	110-650mm
输送速度/Conveying speed	≤20m/min	外包装尺寸/Shipment Dimension	910x910x1210mm
胶带尺寸/Adhesive tape size	48-60mm	净重/毛重/N.W&G.W	125kg/148kg

中国专利号
Z102258105.7
FJ6050S(窄物型)



左右驱动封箱机 FJ-6050S
Left-right driven carton sealer

技术参数technology parameters

型号/Model	FJ-6050S	封箱长度/Packing Length	≥200mm
电源电压/Power Supply	AC 220V/50HZ 110V/60HZ	封箱宽度/Packing Width	100-500mm
电机功率/Power Consumption	120Wx2	封箱高度/Packing Height	110-650mm
输送速度/Conveying speed	≤20m/min	外包装尺寸/Shipment Dimension	1170x1000x1190mm
胶带尺寸/Adhesive tape size	48-60mm	净重/毛重/N.W&G.W	165kg/225kg

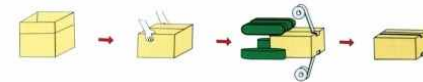
中国专利号
Z102258105.7
FJ6050(全方位型)

FJ 胶带封箱机系列

ADHESIVE TAPE CARTON SEALING MACHINE



上左右驱动封箱机 FJ-6050A
Top-left-right-driven carton sealer

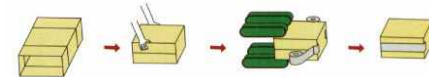


技术参数technology parameters

型号/Model	FJ-6050A	封箱长度/Packing Length	≥200mm
电源电压/Power Supply	AC 220V/50HZ 110V/60HZ	封箱宽度/Packing Width	100-500mm
电机功率/Power Consumption	120Wx2+90W	封箱高度/ Packing Height	110-650mm
输送速度/Conveying speed	≤20m/min	外包装尺寸/Shipment Dimension	1170x1000x1190mm
胶带尺寸/Adhesive tape size	48-60mm	净重/毛重/N.W&G.W	168kg/228kg



上下驱动侧封封箱机 FJ-4042
Top-bottom Driven Side Carton Sealer



技术参数technology parameters

型号/Model	FJ-4042	封箱长度/Packing Length	≥200mm
电源电压/Power Supply	AC 220V/50HZ 110V/60HZ	封箱宽度/Packing Width	150-430mm
电机功率/Power Consumption	120W+90W	封箱高度/ Packing Height	100-450mm
输送速度/Conveying speed	≤20m/min	外包装尺寸/Shipment Dimension	1170x1000x1190mm
胶带尺寸/Adhesive tape size	48-60mm	净重/毛重/N.W&G.W	180kg/240kg

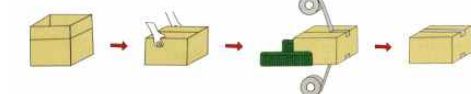
FJ 胶带封箱机系列

ADHESIVE TAPE CARTON SEALING MACHINE



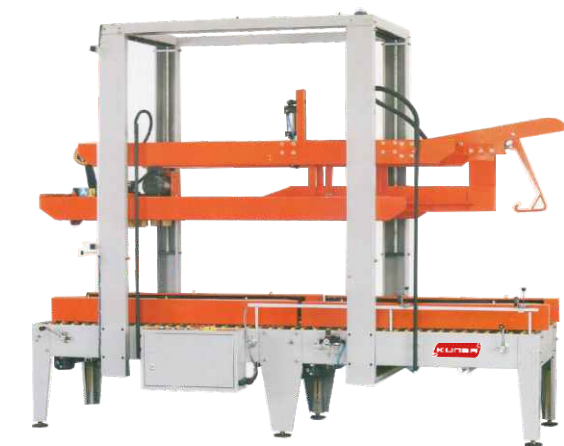
自动下左右驱动折盖封箱机 FJ-5050A
Top-bottom driver side carton sealer

中国专利号
Z102258105.7
FJ5050(自动折盖型)

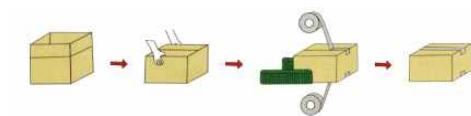


技术参数technology parameters

型号/Model	FJ-5050A	封箱长度/Packing Length	200-650mm
电源电压/Power Supply	AC 220V/50HZ 110V/60HZ	封箱宽度/Packing Width	100-500mm
电机功率/Power Consumption	250Wx2	封箱高度/ Packing Height	170-800mm
输送速度/Conveying speed	≤20m/min	外包装尺寸/Shipment Dimension	2100x1150x1560mm
胶带尺寸/Adhesive tape size	48-60mm	净重/毛重/N.W&G.W	285kg/367kg



自动下左右驱动折盖封箱机 FJ-5050L
Top-bottom driver side carton sealer



技术参数technology parameters

型号/Model	FJ-5050L	封箱长度/Packing Length	≥200mm
电源电压/Power Supply	3P 380V 50Hz/60Hz 1370W	封箱宽度/Packing Width	150-430mm
封口速度/Sealing speed	8-10 cartons/min	封箱高度/ Packing Height	100-450mm
胶带尺寸/Adhesive tape size	48-72mm(kraft or bopp tape)	外包装尺寸/Shipment Dimension	1170x1000x1190mm
		净重/毛重/N.W&G.W	180kg/240kg

FJ 胶带封底 (角) 机系列

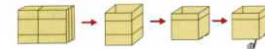
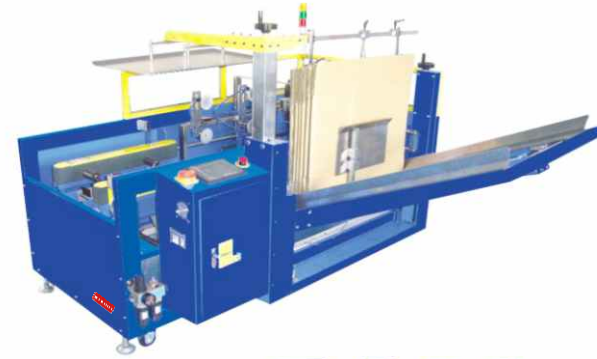
A DHEISIVE TAPE CARTON SEALING MACHINE

开箱封底机 FJ-4035

Open carton sealing bottom machine

对纸质纸箱之开箱成型、封底效果极佳。纸箱储存采用立式随时补充空纸箱。吸箱、成型、封底均自动处理一气呵成。不同尺寸之纸箱由手把操作调整迅速。标准规格品，零件随时供应。

It's a good kind of machine that can finish the work;carton opening,shapping,folding and sealing the bottom of the carron at aheat.As it's very easy to adjust the size of the cartons anytime.Standard products and spare parts can be supplied anytime.



技术参数technology parameters

型号/Model	FJ-4035 (开箱型)	胶带宽度/Adhesive Tape Width	48-60mm
电源电压/Power Supply	AC 220-380V/60-50HZ	封箱长度/Packing Length	<450mm
电机功率/Power Consumption	240W	使用气源/Pneumatic	5~6kg/cm ² 150Ne/min
输送速度/Conveying speed	每小时60-720箱 (ctns/hr)	外包装尺寸/Shipment Dimension	2200x2100x1400mm
封箱口味/Adhesive tape size	开箱封底	毛重/Gross Weight	约420kg

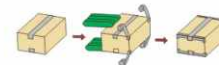
多驱动角边机 FJ-5040

Top-bottom-left-right carton edge sealing bottom machine

纸箱上下一字型胶带封妥后，90度转角进入FJ-5040，角边上下四条胶带一次封箱完成。

采用特殊设计，胶带粘贴、抚平、整齐美观。坚固耐用，适合全天候大量使用。拥有FJ-5040手动调整及FJ-5040A全自动调整二种机型。

This kind of machine use special design,four corner sides of carton can be sealed at one time,with smooth and elegant outlook.It's adamantine and durable,suitable for whole day's rich use.We have two type of machine;FJ-5040Manual adjusting and FJ-5040A Automatic adjusting.



技术参数technology parameters

型号/Model	FJ-5040 (封角型)	胶带宽度/Adhesive Tape Width	48-60mm
电源电压/Power Supply	AC 220-380V/60-50HZ	封箱长度/Packing Length	>30mm
电机功率/Power Consumption	360W	使用气源/Pneumatic	5~6kg/cm ² 150Ne/min
输送速度/Conveying speed	15m/min	外包装尺寸/Shipment Dimension	2200x1400x1700mm
封箱口味/Adhesive tape size	左右上下角边	毛重/Gross Weight	约520kg

输送线系列

CONVEYOR SERIAIS



SSX-D01电动可伸缩输送线 (滚筒型)

SSX-D01 Rerractable conveyor with motor

可伸缩正反转动输送线数字显示，速度可调；输送方向可调，正反转，伸缩长度890-2000mm

技术参数technology parameters

型号/Model	SSX-D01
电源电压/Power Supply	AC 220/50HZ-110/60HZ
总功率/Consumption	360W
机器尺寸/Machine Size	900x900x570mm

无动力可伸缩输送线 (滚筒型)

Retractable conveyor without motor

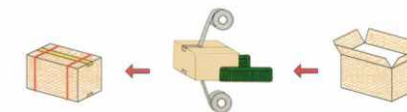


固定输送线
Conveyor line



无动力可伸缩输送线 (滚轮型)
Retractable conveyor without motor

FJ 系列纸箱封箱捆扎包装线 AUTOMATIC CARTON PACKING LINE



全自动折盖封箱捆扎流水线 Automatic flap sealing strapping packing line

特性/Features

封箱打包流水线广泛应用于工厂的无人化车间的大批量生产，自动化程度高，能够实现自动进箱、纸箱折盖、胶带封箱、捆扎带打包、出箱的包装工序，技术先进，质量可靠，是您值得信赖的产品。

Features:carton sealing and packing line is widely used in factory assembly line of unmanned large-scale production workshop,High degree of automation,can achieve automatic feed box,carton folding cover,,sealing,packing,out of box packaging process,Advanced technology, reliable quality and reliable products for your.

配置/Configuration

全自动捆扎机SK-2A, Automatic strapping machine SK-2A
全自动折盖封箱机FJ5050 Automatic flap carton sealer FJ5050
可伸缩正反转动力流水线 Extended motor-drive roller conveyor

可选择配置/Options

自动装箱机/Automatic carton filler
任意长度的动力输送机/More longer motor-drive roller conveyor
全自动捆扎机/Automatic strapping machine
码垛机/Automatic palletizer
自动薄膜缠绕机/Automatic pallet stretch wrapping machine
可伸缩正反转动力流水线/Extended motor-drive roller conveyor

半自动捆扎机系列

SEMI-AUTOMATIC STRAPPING MACHINE SERIES

捆霸牌系列捆扎机是使用打包带缠绕产品或包装件，然后收紧将两端通过热效应熔融或使用包扣等材料连接的机器。打包机的使用是使塑料带能紧贴于捆扎包件表面，保证包件在运输、贮存中不因捆扎不牢而散落，广泛适用于各行各业。

KUNBA strapping machine takes polythene plastic strap as binding material, which is mainly used in binding paper carton, wooden box and paper parcels in sectors of business, postal service, railway, bank, food, pharmaceutical and publishing.



自动捆扎机 KZB-I
Strapping machine

技术参数technology parameters

型号/Model	KZB-I	捆扎带宽/Strap Width	9-15mm
电源电压/Power Supply	AC 220-240V/50HZ	外包装尺寸/Shipment Dimension	925x585x810mm
总功率/Power Consumption	250W	毛重/Gross Weight	85kg
捆扎速度/Capacity	1.8秒(S)/道(time)		
捆扎力/Strapping Tension	40-480N可调(Adjustable)		



自动捆扎机 KZB-II
Strapping machine

技术参数technology parameters

型号/Model	KZB-II	捆扎带宽/Strap Width	9-15mm
电源电压/Power Supply	AC 220-240V/50HZ	外包装尺寸/Shipment Dimension	1470x580x510mm
总功率/Power Consumption	250W	毛重/Gross Weight	80kg
捆扎速度/Capacity	1.8秒(S)/道(time)		
捆扎力/Strapping Tension	40-480N可调(Adjustable)		

半自动捆扎机系列

SEMI-AUTOMATIC STRAPPING MACHINE SERIES



可调型自动捆扎机
Adjustable semi-automatic strapping machine

技术参数technology parameters

型号/Model	KZB-I	捆扎带宽/Strap Width	9-15mm
电源电压/Power Supply	AC 220-240V/50HZ	外包装尺寸/Shipment Dimension	895x580x730mm
总功率/Power Consumption	250W	毛重/Gross Weight	110kg
捆扎速度/Capacity	1.8秒(S)/道(time)		
捆扎力/Strapping Tension	40-480N可调(Adjustable)		



可调型自动捆扎机
Adjustable semi-automatic strapping machine

技术参数technology parameters

型号/Model	KZB-II	捆扎带宽/Strap Width	9-15mm
电源电压/Power Supply	AC 220-240V/50HZ	外包装尺寸/Shipment Dimension	1470x580x505mm
总功率/Power Consumption	250W	毛重/Gross Weight	90kg
捆扎速度/Capacity	1.8秒(S)/道(time)		
捆扎力/Strapping Tension	40-480N可调(Adjustable)		

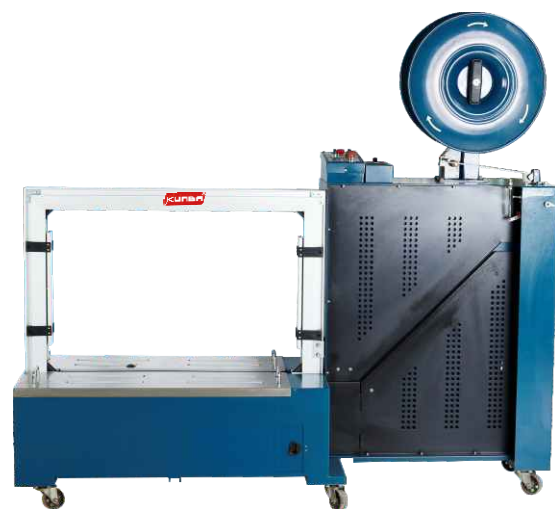
自动捆扎机系列
AUTOMATIC STRAPPING MACHINE



全自动捆扎机 SK-2A
Automatic strapping machine

技术参数technology parameters

型号/Model	SK-2A	PP包带/Tape Width	厚Thickness(0.6-1.2)mm 宽Width(9-15)mm
电源电压/Power Supply	AC3φ380V/50Hz	外包装尺寸/Shipment Dimension	400x590x1500mm
总功率/Power Consumption	0.75KW	毛重/Gross Weight	220kg
捆扎速度/Strapping Speed	≤2.5秒(S)/道(time)		
捆包拉力/Strapping Tension	80kgs		



全自动捆扎机 MH-101B
Automatic strapping machine

技术参数technology parameters

型号/Model	MH-101B	捆包拉力/Strapping Tension	5-38kgs
电源电压/Power Supply	AC3 380V/50HZ	PP包带/Tape Width	厚Thickness(0.6-1.2)mm 宽Width(9-15)mm
总功率/Power Consumption	0.75kw	外包装尺寸/Shipment Dimension	1810x640x1570mm
捆扎速度/Strapping Speed	≤2.5秒(S)/道(time)	毛重/Gross Weight	290kg
捆扎尺寸/Strapping Size	宽800mm*高度根据需要定 can make especia size acording to your order		

备注

**坚持不懈
力求完美**

CONSTANTLY STRIVE
TO PERFECT

只有客户的成功、才有华侨的发展

本厂有权保留对机器技术参数的修改 不另行通知
(Huaqiao reserve the right to change technical parameters without previous advice)